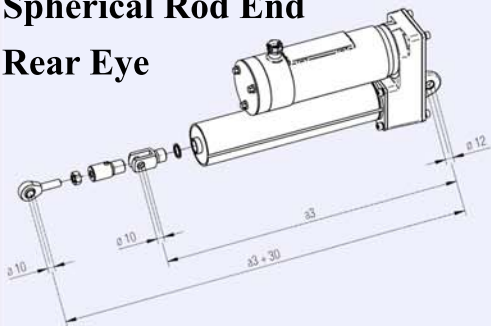


T6N2

Screw Type: ACME

**Mounting: Female Clevis
Spherical Rod End**

Rear Eye



Lubrication: For Life

Protection Rating: IP54

**Power Transfer: HTD
Timing Belt**

Motor: 460V AC

60 Hz, 3 Phase

Thermal Switch

Optional Brake

Options: Limit Switch EPS02/6

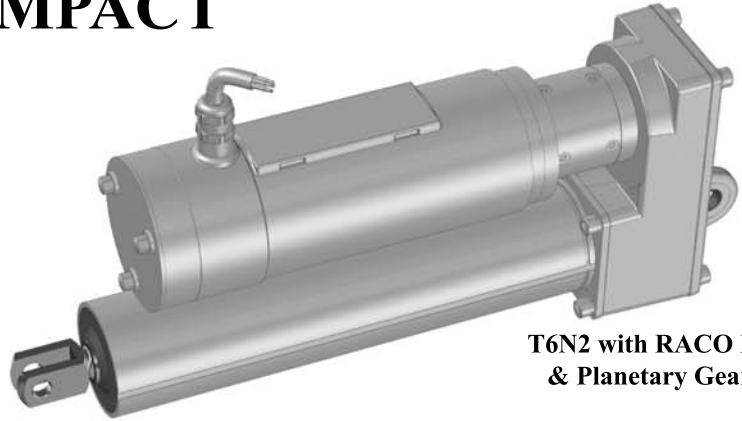
Proximity Switches

Position Control

Swivel Foot Bracket



Electric Actuator Size 2 COMPACT



T6N2 with RACO Motor
& Planetary Gearbox

Compact Size 2 Selection Chart

ACME Screw

Actuator Type	Nominal Force	Nominal Actuator Speed	Stroke Range		Run Torque	Start-up Torque	Nominal Motor Size	Pol	Motor Current	Stall Torque
	lbf.	inch/sec.	min. inch	max. inch	@Nominal Force lb-ft.	lb-ft.			@ Load/460V A	
T6N2	450	0.2	3.9	15.7	1.28	1.58	0.050	4	0.16	4.15
T6N2	450	0.4	3.9	15.7	1.28	1.58	0.125	4	0.49	5.19
T6N2	225	0.4	3.9	15.7	0.64	0.79	0.050	4	0.16	2.08

Standard Stroke, Increments in inches

Stroke	3.9"	7.9"	11.8"	15.7"
a3	11.02"	14.96"	18.90"	22.83"

