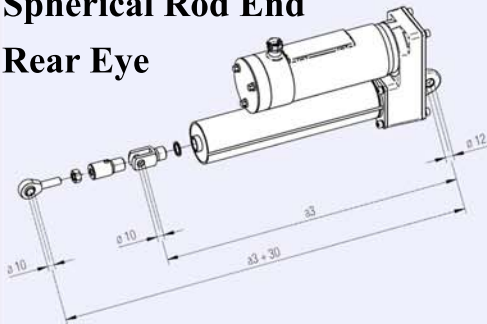


T6L2-2

Screw Type: ACME

**Mounting: Female Clevis
Spherical Rod End**

Rear Eye



Lubrication: For Life

Protection Rating: IP54

**Power Transfer: HTD
Timing Belt**

Motor: 230 VAC

60 Hz, 1 Phase

Thermal Switch

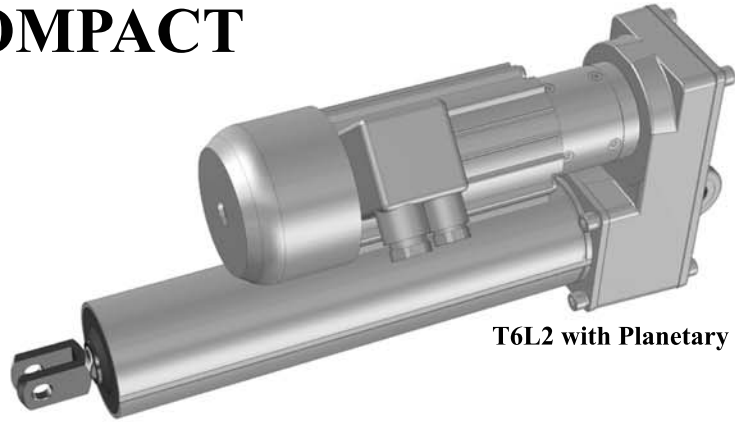
Optional Brake

Options: Proximity Switch

Swivel Foot Bracket



Electric Actuator Size 2 COMPACT



T6L2 with Planetary Gearbox

Compact Size 2 Selection Chart

ACME Screw

Actuator Type	Nominal Force	Nominal Actuator Speed	Stroke Range		Run Torque	Start-up Torque	Nominal Motor Size	Pol	Motor Current 230 VAC Single Phase	Stall Torque
	lbf.	inch/sec.	inch min.	inch max.	lb-ft. @Nominal Force	lb-ft.	kW	P	A	lb-ft.
T6L2-2	450	0.1	3.9	15.7	1.28	1.58	0.025	4	0.20	2.35
T6L2-2	450	0.2	3.9	15.7	1.28	1.58	0.050	2	0.43	2.35
T6L2-2	225	0.2	3.9	15.7	0.64	0.79	0.025	2	0.21	1.08
T6L2-2	225	0.5	3.9	15.7	0.64	0.79	0.050	2	0.54	0.93
T6L2-2	225	0.7	3.9	15.7	0.64	0.79	0.080	2	0.69	1.02

Standard Stroke, Increments in inches

Stroke	3.9"	7.9"	11.8"	15.7"
a3	11.02"	14.96"	18.90"	22.83"

