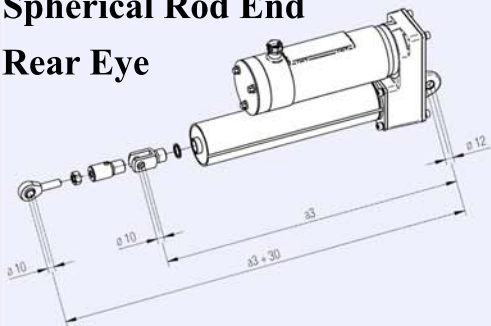


T6C2

Screw Type: ACME

**Mounting: Female Clevis
Spherical Rod End**

Rear Eye



Lubrication: For Life

Protection Rating: IP54

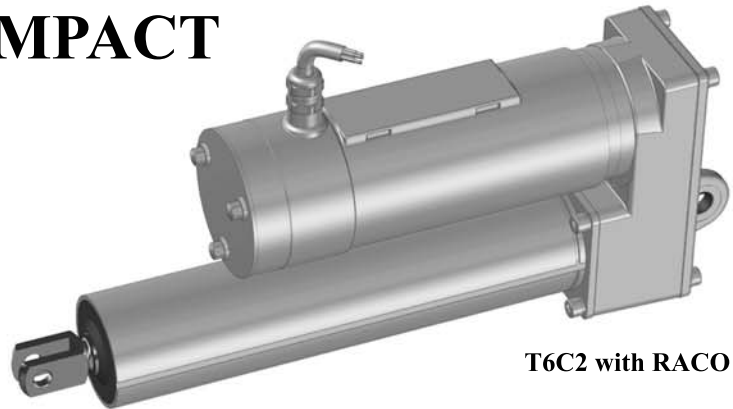
**Power Transfer: HTD
Timing Belt**

**Motor: 460V AC
60 Hz, 3 Phase
Thermal Switch
Optional Brake**

**Options: Limit Switch EPS02/6
Proximity Switches
Position Control
Swivel Foot Bracket**



Electric Actuator Size 2 COMPACT



T6C2 with RACO Motor

Compact Size 2 Selection Chart

ACME Screw

Actuator Type	Nominal Force	Nominal Actuator Speed	Stroke Range		Run Start-up Torque		Nominal Motor Size	Pol	Motor Current	Stall Torque
	lb.f.	inch/sec.	min.	max	@Nominal Force	lb-ft.			@ Load/460V	
T6C2	450	0.9	3.9	15.7	1.28	1.58	0.125	4	1.11	2.31
T6C2	225	0.9	3.9	15.7	0.64	0.79	0.050	4	0.54	0.92
T6C2	450	1.9	3.9	15.7	1.28	1.58	0.250	4	1.19	2.31
T6C2	225	1.9	3.9	15.7	0.64	0.79	0.125	4	1.11	1.15
T6C2	110	1.9	3.9	15.7	0.32	0.40	0.050	4	0.54	0.46
T6C2	225	3.7	3.9	15.7	0.64	0.79	0.250	4	1.19	1.15
T6C2	110	3.7	3.9	15.7	0.32	0.40	0.125	4	1.11	0.58

Standard Stroke, Increments in inches

Stroke	3.9"	7.9"	11.8"	15.7"
a3	11.02"	14.96"	18.90"	22.83"

