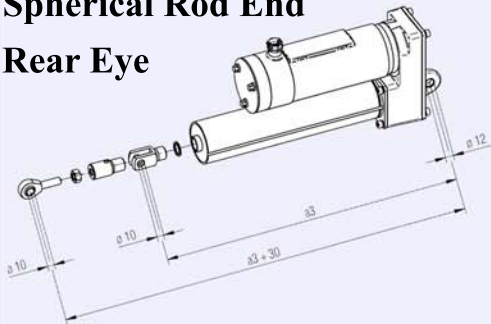


T6C2-DC

Screw Type: ACME

**Mounting: Female Clevis
Spherical Rod End**

Rear Eye



Lubrication: For Life

Protection Rating: IP54

**Power Transfer: HTD
Timing Belt**

Motor: 24V DC

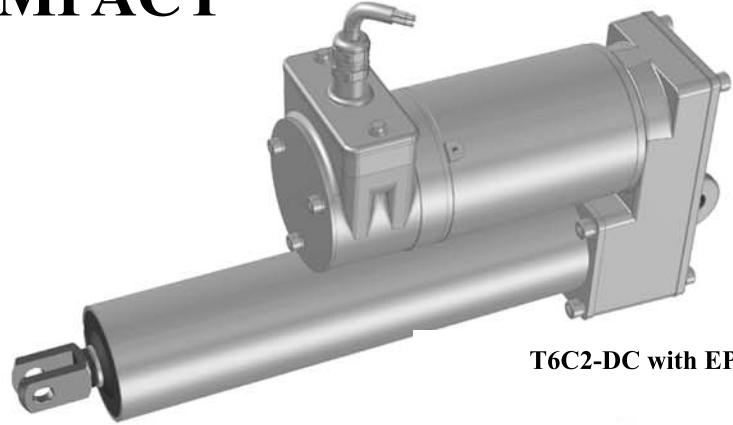
Thermal Switch

Optional Brake

**Options: Limit Switch EPS02/6
Proximity Switches
Position Control
Swivel Foot Bracket**



Electric Actuator Size 2 COMPACT



T6C2-DC with EPS02

Compact Size 2 Selection Chart

ACME Screw

Actuator Type	Nominal Force	Nominal Actuator Speed	Stroke Range		Run Torque @Nominal Force	Start-up Torque	Nominal Motor Size	Pol	Motor Current @ Load/24VDC	Stall Torque
	lbf.	inch/sec.	inch min.	inch max.	lb.-ft.	lb.-ft.	kW	P	A	lb.-ft.
T6C2-DC	450	1.2	3.9	15.7	127.60	1.58	0.30		9.55	13.01
T6C2-DC	225	2.4	3.9	15.7	0.64	0.79	0.30		9.55	6.51

Standard Stroke, Increments in inches

Stroke	3.9"	7.9"	11.8"	15.7"
a3	11.02"	14.96"	18.90"	22.83"

