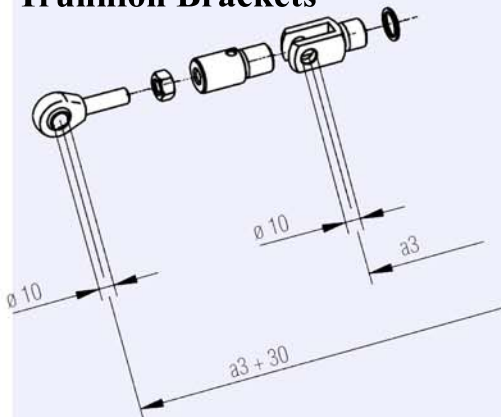


# T1A2 / T1B2

**Screw Type: ACME**

**Mounting: Female Clevis  
Spherical Rod End**

**Trunnion Brackets**



**Lubrication: For Life**

**Protection Rating: IP54**

**Power Transfer: Direct Drive**

**Motor: 460V AC**

**60 Hz, 3 Phase**

**Thermal Switch**

**Optional Brake**

**Options: Limit Switch  
EPS02 / EPS06  
Position Control  
Trunnion Brackets  
Ice Wiper / IP65  
Front Flange**



## Electric Actuator Size 2 COMPACT



T1A2 with RACO Motor & EPS02

### Compact Size 2 Selection Chart

#### ACME Screw

Actuator Type	Nominal Force	Nominal Actuator Speed	Stroke Range		Run Start-up Torque		Nominal Motor Size	Pol	Motor Current	Stall Torque
	lbf.	inch/sec.	min.	max	@Nominal Force	lb-ft.			@ Load/460V	
T1A2	175	1.9	3.9	11.8	0.51	0.63	0.125	4	0.89	1.18
T1A2	175	3.7	3.9	11.8	0.51	0.63	0.250	2	0.95	1.18
T1B2	110	1.9	3.9	11.8	0.32	0.40	0.050	4	0.54	0.52
T1B2	110	3.7	3.9	11.8	0.32	0.40	0.125	2	1.11	0.59

#### Standard Stroke, Increments in inches

Stroke	3.9"	7.9"	11.8"
a3	8.78"	12.72"	16.65"

